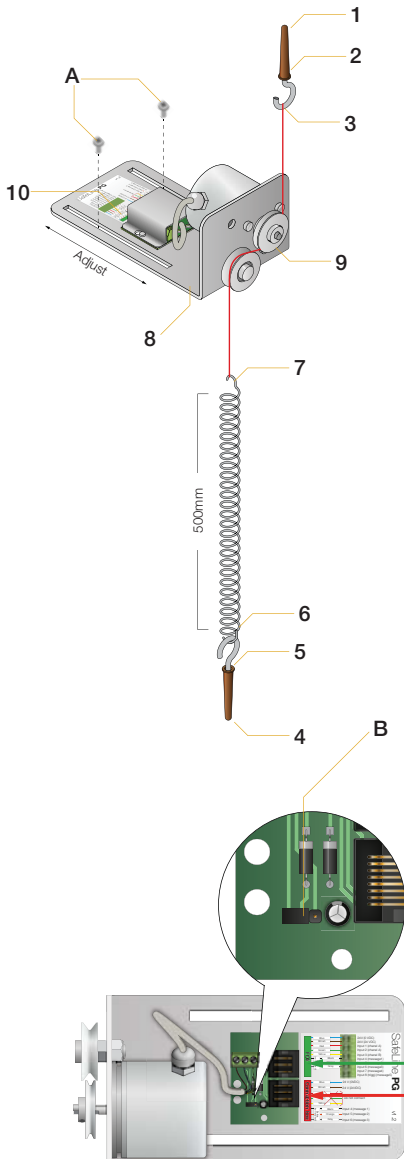
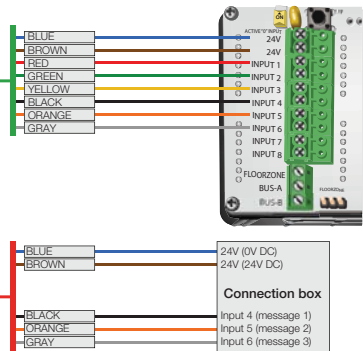


# SafeLine PG1

## Installation instructions



1. Drill min. 45mm with 8mm drill in the shaft top and insert the plug.
2. Insert the hook into the plug and tighten.
3. Roll down the rope to the bottom of the shaft and make a solid knot in the shaft top.
4. Measure and adjust the rope so the it runs straight in the shaft. Drill min. 45mm with 8mm drill in the pit and insert the plug.
5. Insert the hook into the plug and tighten.
6. Mount the spring into the hook.
7. Insert the rope, stretch the spring so the lenght will be min 500mm, and make a solid knot.
8. Adjust and mount the encoder plate with screws(A) so the encoder wheel will line with the rope.
9. Mount the rope so it will run through both of the wheels (As the picture).
10. Connect the cables as shown below.
11. Change jumper position (B) to invert input signals.
12. See the FD4-manual for setup.





SafeLine Sweden  
Antennvägen 10  
13548 Tyresö  
SWEDEN

Tel: +46(0)84477932  
Fax: +46(0)84477931  
E-mail: [order@safeline.eu](mailto:order@safeline.eu)



SafeLine Europe  
Blvd de la Woluwe 42,  
1200 Brussels  
BELGIUM

Tel: +32(0)2 762 98 10  
Fax: +32(0)2 762 97 10  
E-mail: [order@safeline.eu](mailto:order@safeline.eu)



SafeLine-Deutschland  
Westfalenstraße 22a  
D-51688 Wipperfürth  
DEUTSCHLAND

Tel: +49 (0) 2267 - 8 67 96 63  
E-mail: [order@safeline.eu](mailto:order@safeline.eu)



SafeLine Elevator Parts UK  
3 Evigate Park Barn  
Smeeth  
Ashford  
Kent  
TN25 6SX  
United Kingdom

Tel: +44(0)1303 813414  
Fax: +44 (0)1303 814529  
E-mail: [order@safeline.eu](mailto:order@safeline.eu)



SafeLine Denmark  
Erhvervsvej 19  
2600 Glostrup  
DENMARK

Tel: +45 44 91 32 72  
E-mail: [order@safeline.eu](mailto:order@safeline.eu)